

LED COMPOUND LIGHT Street Flux C

STREET FLUX C uniqueness lies in its modular concept, that facilitates easy maintenance and also possible future upgrade when better performance LED is made available.

STREET FLUX C plays a role in ensuring optimum energy saving. In addition of harnessing the LED benefits, it can be incorporated with sensor based driver, which ensure maximum energy saving and not neglecting the brightness required.

The durable aluminum housing coupled with industrial standard power coating enables STREET FLUX C to withstand any harsh environment with ease .

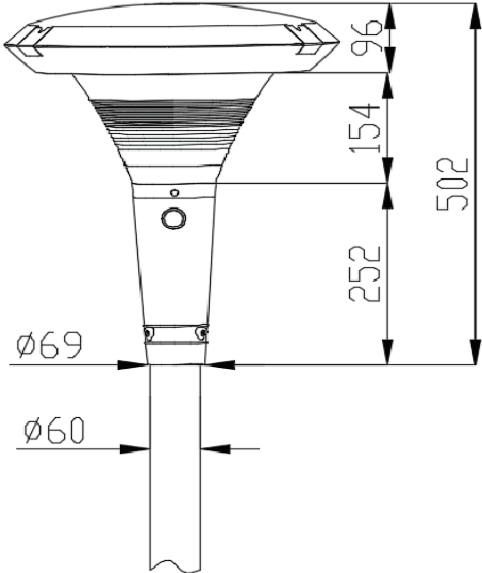
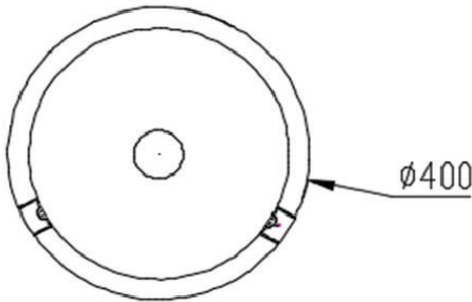
HIGHLIGHTS

- High performance LED
- Maintenance Friendly
- IP66 rating
- Elegance Design

CERTIFICATIONS

- CE
- RoHS

TECHNICAL DRAWING





TECHNICAL SPECIFICATIONS

Article Number	SFC-36	SFC-57	SFC-80
Max. Power	36W	57W	80W
Optics			
Colour Temperature		3000K, 4000K, 5000K, 5700K	
CRI	70	70	70
Lumen Output	4140lm**	6600lm**	8800lm**
Optic		Wide Distribution	
Operating temperature		-40°C to +50°C	
Material			
Heat Sink		Anodized Aluminium	
Lens		PC (UV resistance)	
Electrical			
Nominal voltage		220-240v 50/60Hz	
Output Class	Class 1	Class 1	Class 1
Dimming	No	No	No
Surge Protection	10KV	10KV	10KV
Environmental			
IP	66	66	66
IK	8	8	8

* Note :

** Lumen output based on 4000K CCT

*** Specifications are subjected to change without prior notice