

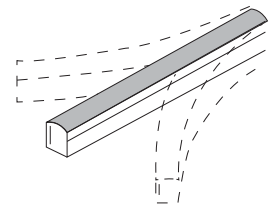
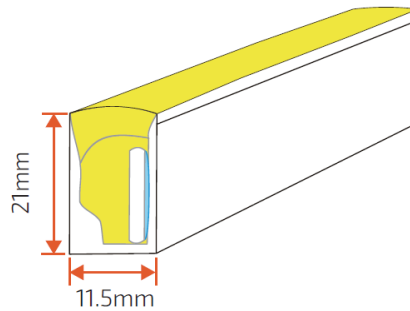
Features

- System power :12W Per Meter
- High grade PVC material for housing
- Mono Color and RGBW 4 IN 1 color are available
- DMX512 control system to achieve gradual, transition, blinking and other dynamic effects

Highlights

- High brightness with flexible design
- Several mounting accessories are available for selection
- Field installation friendly
- Cost effective

Technical Drawing



(HB) Horizontal Bending

Tolerance: ±2.5mm

Technical Specifications

Artide Number		AD-BMB-FR-BxyAFO	AD-BMB-FR-JxyAFO
Product	LED type	SMD LED	SMD LED
	Beam angle	120°	120°
	Color	2700K/3000K/4000K/6500K/RGBW	2700K/3000K/4000K/6500K/RGBW
Environmental	Ambient temperature	-30°C To 45°C	-30°C To 45°C
	Operating humidity range	10 - 90% RH	10 - 90% RH
	Ingress protection	IP68	IP68
	LED lifetime	50,000hrs	50,000hrs
Power	Mains input	24VDC	48VDC
	Power consumption maximum	12W PER METER	12W PER METER
Physical	Housing	PVC	PVC
	Dimensions (W x H x L)	11.5mm x 21mm x 20000mm	11.5mm x 21mm x 40000mm
Control	Control system	ON-OFF / DMX512	ON-OFF / DMX512

* Options :

x : Control
C=ON-OFF
A=DMX512

y : Color
A= 2700K, B= 3000K, C= 4000K, G=6500K
2=RGBW

** For 24VDC Flexion Strip, maximum length with single power feed up to 10 meters only

** For 48VDC Flexion Strip, maximum length with single power feed up to 20 meters only

All specifications are subjected to change without notice.