

LED HIGH BAY RONDO IMS

LED HIGH BAY RONDO IMS comes in a completely different design compared with our traditional High Bay Rondo. This version adopts qualified super bright LED as light source, which is stable, long life and no UV & IR emission. The aluminum housing is specially designed to cater for stylish and fashionable look and excellent heat management.

All RONDO IMS versions comes with latest motion sensor and driver technology that uses constant current driving method, which is safe to use, energy saving and long life.



FEATURES

- System Power : 100W, 150W, 200W & 240W
- Beam Angles : 60°, 90° & 120°
- CCT : 3000K, 4000K, 5000K & 6500K
- IP/IK Rating : IP65/IK08
- Housing Colour : Black
- Sensor Coverage : Height 15M X Ø16M (Max)
- Factory Default Setting : Setting 1

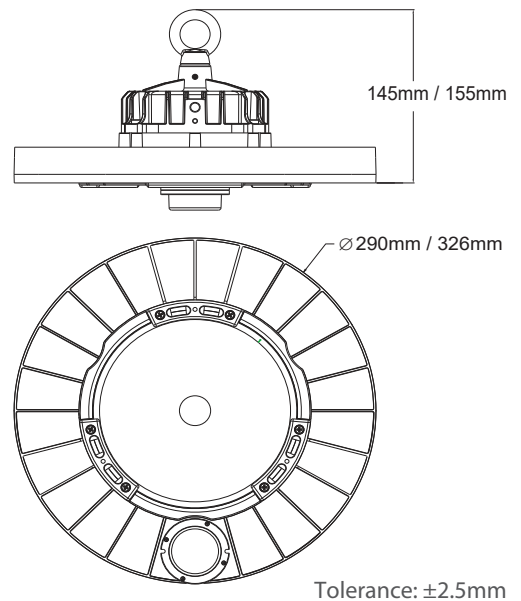
HIGHLIGHTS

- High reduction in power consumption
- Come with microwave motion sensor and daylight sensor
- LED life span at 50,000 hrs @ L70B50
- Easy and various installation styles

CERTIFICATIONS

- CE
- RoHS

TECHNICAL SPECIFICATIONS



System Power	CCT	Beam Angle	Light Output (lm)	CRI	Power Factor	IP/IK Rating	Net Weight (kg)	Voltage	Dimensions (Dx H mm)	Art.-No.
100W	3000K / 4000K / 5000K / 6500K	60°/90°/120°	13000	80	>0.90	65 / 08	1.65	220-240V	Ø290 x 145	HF-H5-TWC-WxExCA
150W	3000K / 4000K / 5000K / 6500K	60°/90°/120°	19500	80	>0.90	65 / 08	1.65	220-240V	Ø290 x 145	HF-H5-TWD-WxExCA
200W	3000K / 4000K / 5000K / 6500K	60°/90°/120°	26000	80	>0.90	65 / 08	2.4	220-240V	Ø326 x 155	HF-H5-UXB-WxExCA
240W	3000K / 4000K / 5000K / 6500K	60°/90°/120°	31200	80	>0.90	65 / 08	2.4	220-240V	Ø326 x 155	HF-H5-UXU-WxExCA

Option:

- | | |
|------------|----------------|
| x : Colour | y : Beam angle |
| M= 3000K | F= 60° |
| H= 4000K | G= 90° |
| Q= 5000K | H= 120° |
| G= 6500K | |

* Instant light up < 1 second.
 * Not suitable for accent lighting.
 * All measurement data subjected to 10% tolerance due to measurement equipment tolerance and accuracy.
 * Lumen maintenance factor : L70
 ** Product specification subjects to change without prior notice.

LEDIGAMI

MOTION SENSOR SETTING OPTIONS

Setting Options	LIGHT ON	HOLD TIME	LIGHT DIM	DAYLIGHT SENSOR ACTIVATED	DAYLIGHT THRESHOLD	STAND-BY TIME
Setting 1	100%	5 MINS	30%	NO	N/A	5 MINS
Setting 2	100%	10 MINS	30%	NO	N/A	30 MINS
Setting 3	100%	30 MINS	30%	NO	N/A	60 MINS
Setting 4	100%	5 MINS	30%	YES	50 LX	5 MINS
Setting 5	100%	10 MINS	30%	YES	50 LX	30 MINS
Setting 6	100%	30 MINS	30%	YES	50 LX	60 MINS
Setting 7	100%	5 MINS	10%	NO	N/A	5 MINS
Setting 8	100%	10 MINS	10%	NO	N/A	30 MINS
Setting 9	100%	30 MINS	10%	NO	N/A	60 MINS
Setting 10	100%	5 MINS	10%	YES	50 LX	5 MINS
Setting 11	100%	10 MINS	10%	YES	50 LX	30 MINS
Setting 12	100%	30 MINS	10%	YES	50 LX	60 MINS

MOTION SENSOR WORK-FLOW

