

LEDIGAMI

Architectural Lighting Solution

LED SPOT LIGHT SPOTI SERIES

The LED Spot Light SPOTI product series is a high-performance light fixture utilising LED technology. The durable high grade material metal housing and long life LED are an ideal combination. The use of LEDs allows for the creative introduction of colour and improved energy efficiency.

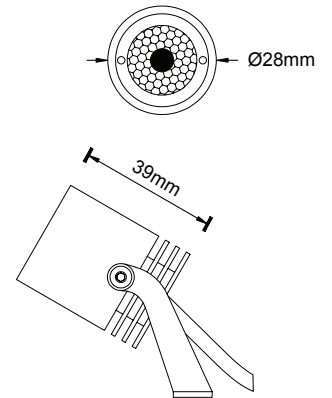
A simple and robust design allows for easy luminaire installation and there is virtually no need for maintenance. It has the added advantage of being supplied factory sealed, with no requirement to open the luminaire during installation. This luminaire can operate in high humidity or wet location.

It is a powerful LED fixture with exceptional light output and is available in a wide variety of optical configurations including narrow spot distribution. The luminaire has a wide variety of colour temperatures and ideally suited for the landscape application.



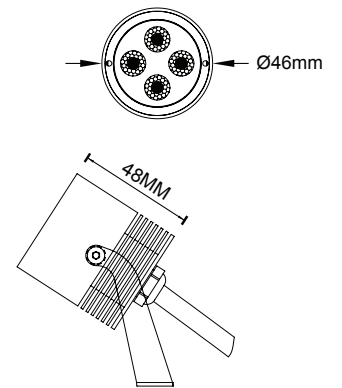
3W POWER	SMD LED LED TYPE
2700K 3000K 4000K 6000K CCT	15°, 25°, 38°, 45°, 60° BEAM ANGLE
12V/ 24V INPUT VOLTAGE	IP67 IK04 RATING
AL TRIM / HOUSING	CE RoHS COMPLIANCES

DC-RB-Knb-AzxyAG



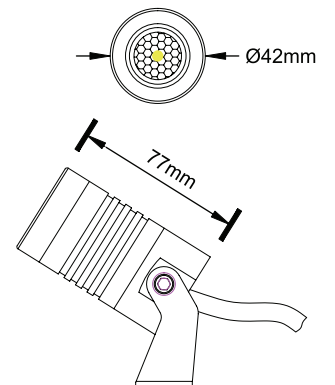
4W POWER	SMD LED LED TYPE
2700K 3000K 4000K 6000K CCT	25°, 40°, 60° BEAM ANGLE
24V INPUT VOLTAGE	IP67 IK04 RATING
AL TRIM / HOUSING	CE RoHS COMPLIANCES

DC-RB-LHF-ACxyAG



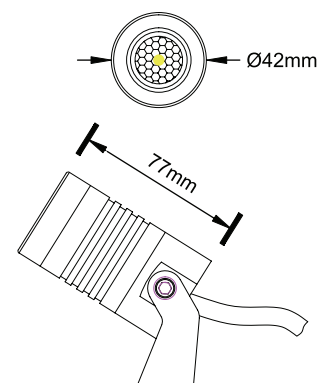
5W POWER	COB LED LED TYPE
2700K 3000K 4000K 6000K CCT	15°, 25°, 36°, 60° BEAM ANGLE
100 - 245V INPUT VOLTAGE	IP67 IK04 RATING
AL TRIM / HOUSING	CE RoHS COMPLIANCES

DC-RB-HDL-AzxyBK



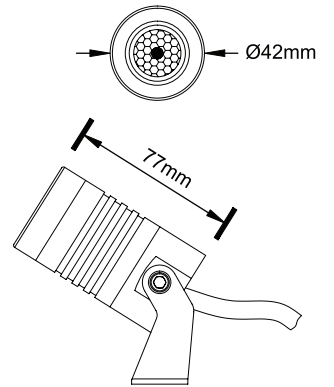
3W POWER	SMD LED LED TYPE
2700K 3000K 4000K 6000K CCT	25°, 40° BEAM ANGLE
100 - 245V INPUT VOLTAGE	IP67 IK04 RATING
AL TRIM / HOUSING	CE RoHS COMPLIANCES

DC-RB-HDB-AExyAG



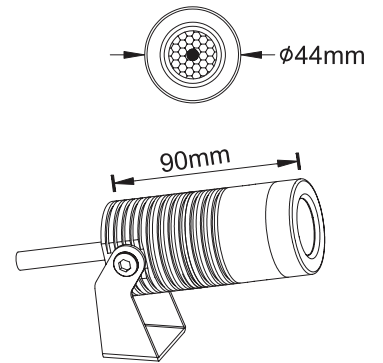
5W POWER	SMD LED LED TYPE
2700K 3000K 4000K 6000K CCT	25°, 40° BEAM ANGLE
100 - 245V INPUT VOLTAGE	IP67 IK04 RATING
AL TRIM / HOUSING	CE RoHS COMPLIANCES

DC-RB-HDL-AE_{xy}AG



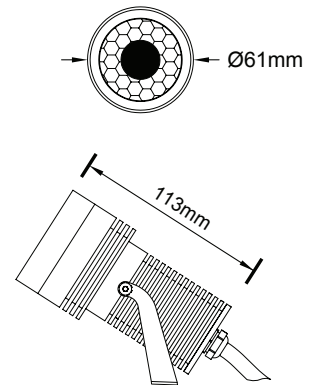
8W POWER	COB LED LED TYPE
2700K 3000K 4000K 6000K CCT	10°, 23°, 38° BEAM ANGLE
100 - 245V INPUT VOLTAGE	IP67 IK04 RATING
AL TRIM / HOUSING	CE RoHS COMPLIANCES

DC-RB-HTE-Az_{xy}BK



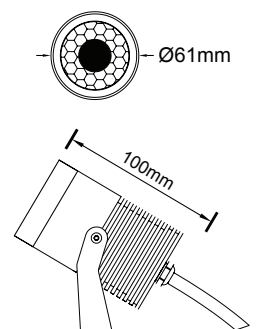
12W POWER	COB LED LED TYPE
2700K 3000K 4000K 6000K CCT	25°, 40°, 60° BEAM ANGLE
100 - 245V INPUT VOLTAGE	IP67 IK04 RATING
AL TRIM / HOUSING	CE RoHS COMPLIANCES

DC-RB-BSD-AE_{xy}BK



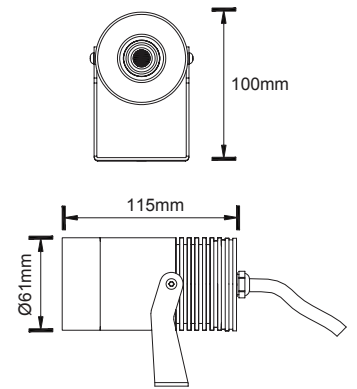
15W POWER	COB LED LED TYPE
2700K 3000K 4000K 6000K CCT	25°, 38°, 60° BEAM ANGLE
100 - 245V INPUT VOLTAGE	IP67 IK04 RATING
AL TRIM / HOUSING	CE RoHS COMPLIANCES

DC-RB-BUN-AE_{xy}BK



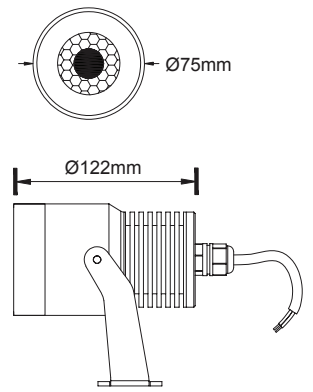
12W POWER	SMD LED LED TYPE
2700K 3000K 4000K 6000K CCT	4° BEAM ANGLE
100 - 245V INPUT VOLTAGE	IP67 IK04 RATING
AL TRIM / HOUSING	CE RoHS COMPLIANCES

DC-RB-BSD-AExHAG



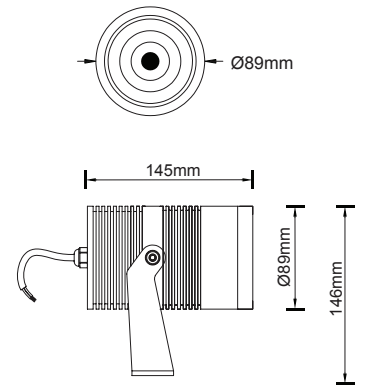
8W/ 12W POWER	COB LED LED TYPE
2700K 3000K 4000K 6000K CCT	24°, 36°, 60° BEAM ANGLE
100 - 245V INPUT VOLTAGE	IP67 IK04 RATING
AL TRIM / HOUSING	CE RoHS COMPLIANCES

DC-RB-bRE-AzxyBK (8W)
DC-RB-bRD-AzxyBK (12W)



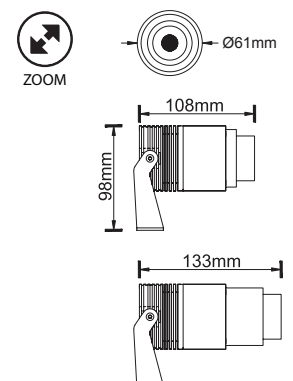
25W POWER	COB LED LED TYPE
2700K 3000K 4000K 6000K CCT	15°, 23°, 38°, 45°, 60° BEAM ANGLE
100 - 245V INPUT VOLTAGE	IP67 IK04 RATING
AL TRIM / HOUSING	CE RoHS COMPLIANCES

DC-RB-TWU-AzxyBK



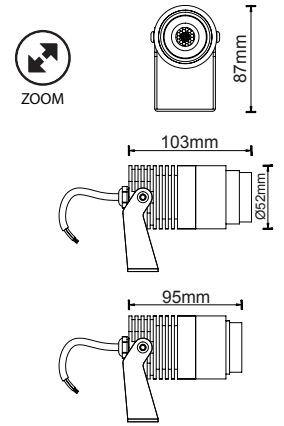
12W POWER	COB LED LED TYPE
2700K 3000K 4000K 6000K CCT	10° - 40° (ADJUSTABLE) BEAM ANGLE
100 - 245V INPUT VOLTAGE	IP67 IK04 RATING
AL TRIM / HOUSING	CE RoHS COMPLIANCES

DC-RB-BQD-AExABK



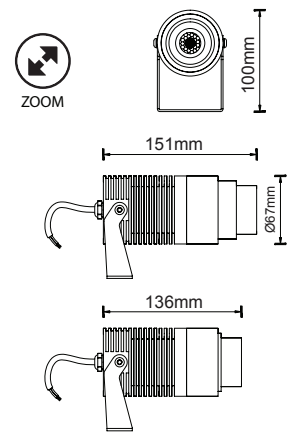
8W POWER	COB LED LED TYPE
2700K 3000K 4000K 6000K CCT	10° - 40° (ADJUSTABLE) BEAM ANGLE
100 - 245V INPUT VOLTAGE	IP67 IK04 RATING
AL TRIM / HOUSING	CE RoHS COMPLIANCES

DC-RB-MUE-AzABK



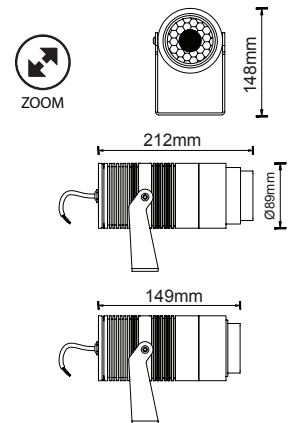
15W POWER	COB LED LED TYPE
2700K 3000K 4000K 6000K CCT	10° - 40° (ADJUSTABLE) BEAM ANGLE
100 - 245V INPUT VOLTAGE	IP67 IK04 RATING
AL TRIM / HOUSING	CE RoHS COMPLIANCES

DC-RB-c3N-AExABK



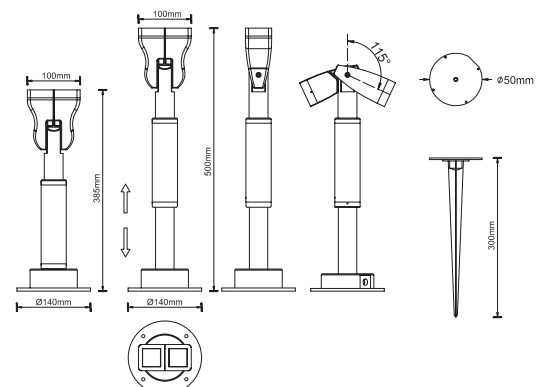
25W POWER	COB LED LED TYPE
2700K 3000K 4000K 6000K CCT	10° - 40° (ADJUSTABLE) BEAM ANGLE
100 - 245V INPUT VOLTAGE	IP67 IK04 RATING
AL TRIM / HOUSING	CE RoHS COMPLIANCES

DC-RB-T4U-AExABK



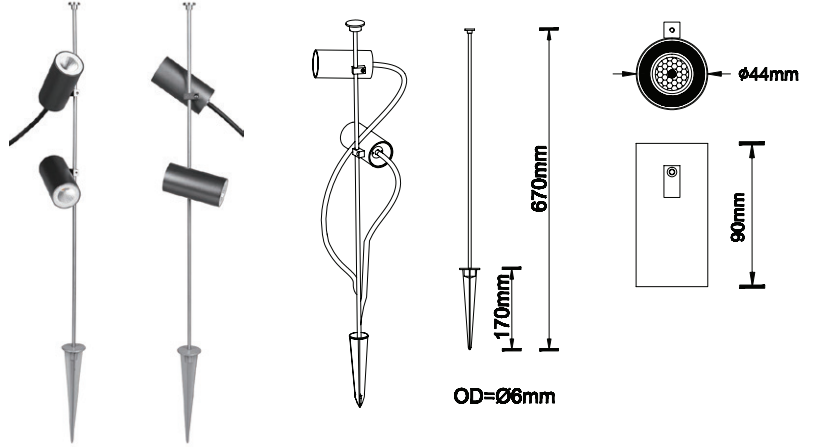
15W POWER	COB LED LED TYPE
2700K 3000K 4000K 6000K CCT	15°, 25° BEAM ANGLE
100 - 245V INPUT VOLTAGE	IP65 IK04 RATING
AL TRIM / HOUSING	CE RoHS COMPLIANCES

DC-SB-Dan-AExyBK



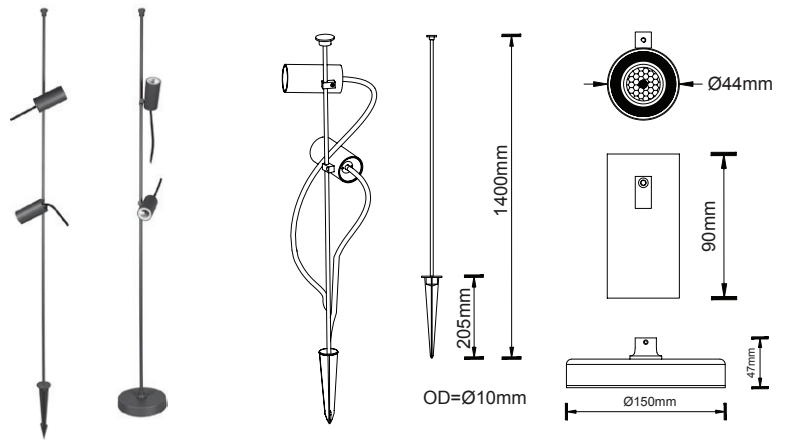
5W POWER	COB LED LED TYPE
2700K 3000K 4000K 6000K CCT	15°, 24° BEAM ANGLE
100 - 245V INPUT VOLTAGE	IP65 IK04 RATING
AL TRIM / HOUSING	CE RoHS COMPLIANCES

DC-SB-HTL-AzxyBK



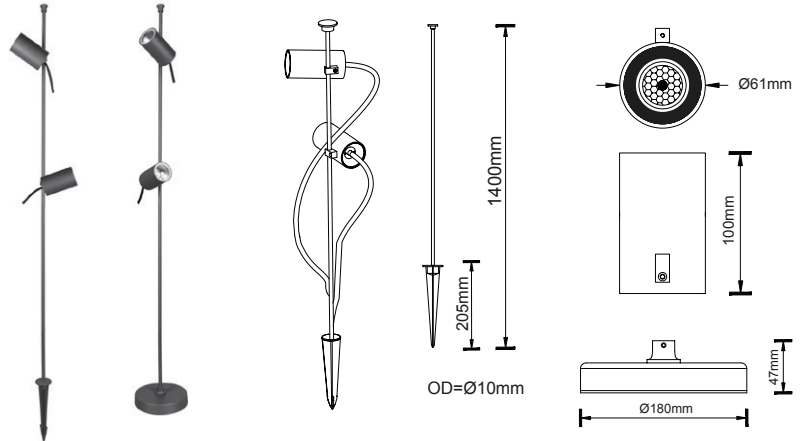
5W POWER	COB LED LED TYPE
2700K 3000K 4000K 6000K CCT	15°, 24° BEAM ANGLE
100 - 245V INPUT VOLTAGE	IP65 IK04 RATING
AL TRIM / HOUSING	CE RoHS COMPLIANCES

DC-SB-HTL-AzxyBL



12W POWER	COB LED LED TYPE
2700K 3000K 4000K 6000K CCT	15°, 23°, 38°, 45°, 60° BEAM ANGLE
100 - 245V INPUT VOLTAGE	IP65 IK04 RATING
AL TRIM / HOUSING	CE RoHS COMPLIANCES

DC-SB-BUD-AzxyBL



6W POWER	SMD LED LED TYPE
RGB COLOR	25° BEAM ANGLE
12V INPUT VOLTAGE	IP67 IK04 RATING
AL TRIM / HOUSING	CE RoHS COMPLIANCES

DC-RB-HBJ-ADnyBK



5W
POWER

COB LED
LED TYPE

DC-RB-HDL-ADNyBK

RGBW
COLOR

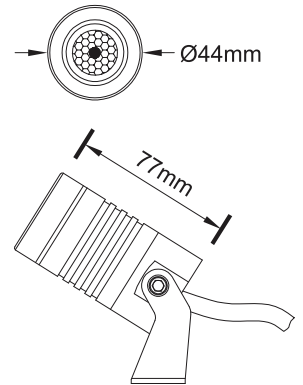
10°, 23°, 38°
BEAM ANGLE

12V
INPUT VOLTAGE

IP67 IK04
RATING

AL
TRIM / HOUSING

CE
COMPLIANCES



12W
POWER

SMD LED
LED TYPE

DC-RB-BTD-ADxRBK

RGBW
COLOR

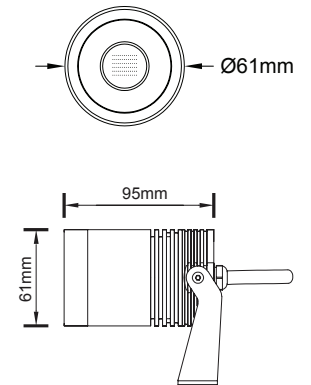
30°
BEAM ANGLE

12V
INPUT VOLTAGE

IP67 IK04
RATING

AL
TRIM / HOUSING

CE
COMPLIANCES



GU10
LAMP BASE

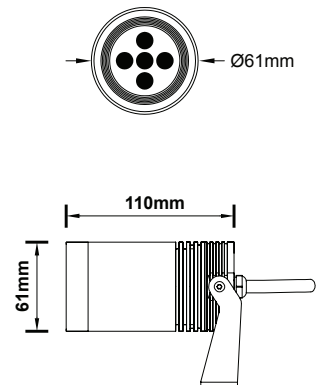
IP67 IK04
RATING

DC-RB-BSA-AEAABK

100 - 245V
INPUT VOLTAGE

AL
TRIM / HOUSING

CE
COMPLIANCES



GU10
LAMP BASE

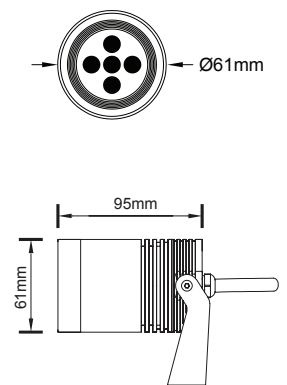
IP67 IK04
RATING

DC-RB-BTA-AEAABK

100 - 245V
INPUT VOLTAGE

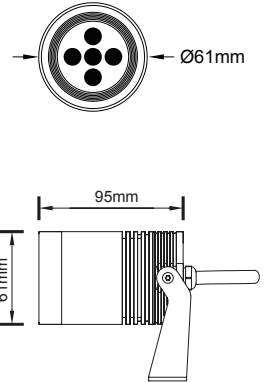
AL
TRIM / HOUSING

CE
COMPLIANCES





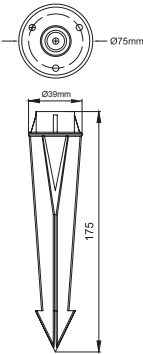
DC-RB-BTA-ADAABK



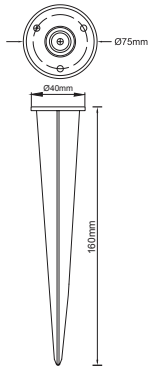
Accessory : Fixture Spike Set



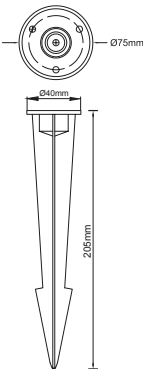
DD-AA-AAA-AAAABM



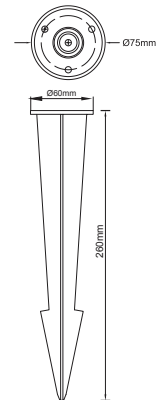
DD-AA-AAA-AAAABN



DD-AA-AAA-AAAABP



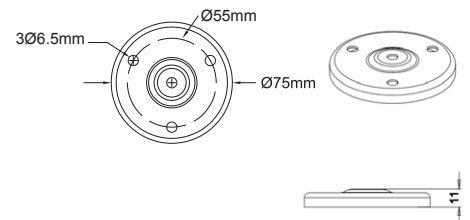
DD-AA-AAA-AAAABQ



Accessory : Round Shape Mounting Base



DD-AA-AAA-AAAABR (STAINLESS STEEL)
DD-AA-AAA-AAAABS (BLACK)



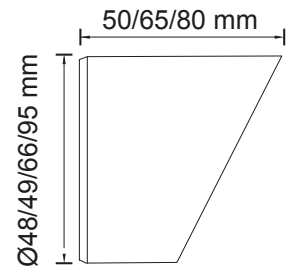
AL
MATERIAL

DARK GRAY
COLOR

Ø48X50,
Ø49X50,
Ø66X65,
Ø95X80
DIMENSION (MM)

Accessory : Anti -Glare Shield

DD-AA-AAA-AAAABT (Ø48X50MM)
DD-AA-AAA-AAAABU (Ø49X50MM)
DD-AA-AAA-AAAABV (Ø66X65MM)
DD-AA-AAA-AAAABW (Ø95X80MM)



NYLON
MATERIAL

2M
LENGTH

BLACK
COLOR

Accessory : Belt for Tree Installation

DD-AA-AAA-AAAACA

Standard belt consists with
1PC of stainless steel
locking mechanism and
1PC of fixture mounting based



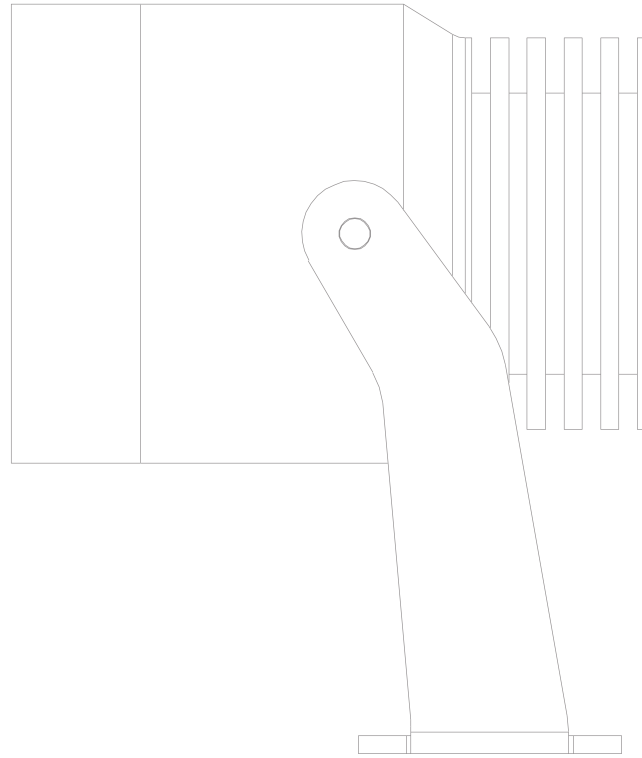
PRODUCT SPECIFICATION CODE

X : CCT	Y : BEAM ANGLE	Z : VOLTAGE
B=2700K	B=10°	C=24VDC
C=3000K	C=15°	D=12VDC
D=4000K	b=20°	E=100-245VAC
E=6000K	q=23°	
a=RGB + 2700K	Q=24°	
T=RGB + 3000K	U=25°	
W=RGB + 4000K	R=30°	
b=RGB + 5500K	G=36°	
S=RGB + 6000K	a=38°	
	P=40°	
	T=45°	
	S=60°	

Note :

All measurement datas are subjected to 10% tolerance due to measurement equipment tolerance and accuracy
Lumen maintenance factor : L70B50 @ normal room temperature (25 degree C)

All product specifications are subject to change without prior notice



LEDIGAMI

Architectural Lighting Solution

