

LED TUBE CENTUM® DRIVER ECO

LEDIGAMI LED TUBE CENTUM® Driver ECO is the ideal replacement for conventional fluorescent tubes in residential and commercial areas of use. With good performance data, it is specifically designed for the demanding users.

LED TUBE CENTUM® Driver ECO amortizes at low daily usage and thus is easy method to become more sustainable.

SPECIFICATIONS

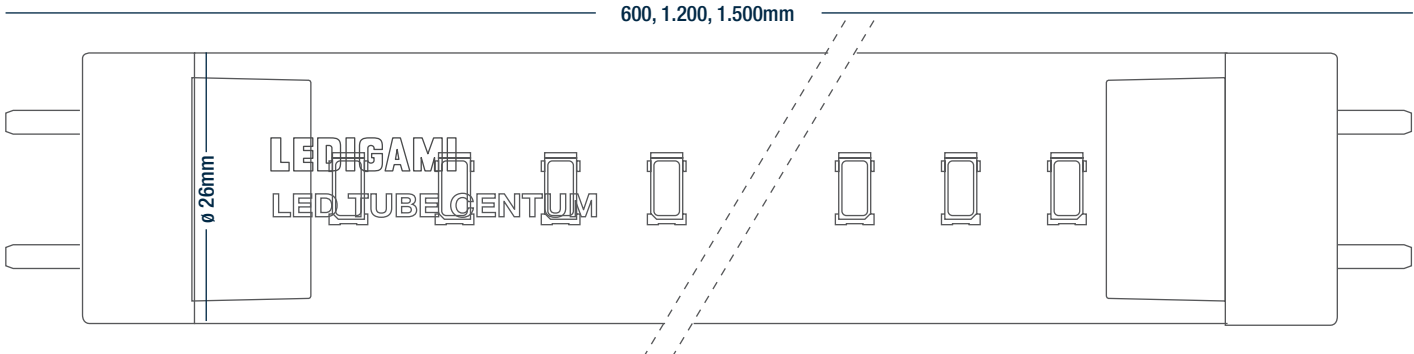
- Power : 6.5W, 12W, 14W, 18W & 20W
- Optics : Clear & Frost
- Beam Angles : 120° & 130°
- Length : 600mm, 1200mm & 1500mm
- CCT : 3000K, 4000K & 6000K
- CRI : 80
- Base : G13
- Size : T8

HIGHLIGHTS

- Average rated lifespan of 50,000 hours @ L80B50
- Low maintenance costs by reducing re-lamp frequency
- Environmental friendly – free of mercury and hazardous materials
- Instant-on light

CERTIFICATIONS

- CE
- RoHS



LED TUBE CENTUM® DRIVER ECO CLEAR Technical Specifications

Power	Comparable Lamp Wattage	CCT	Beam Angle	Light Output	CRI	Power Factor	Voltage	Energy Efficiency Class	Size	Base	Nominal Length	Article Number
6.5W	18W	3000 K	120°	900 lm	80	Typ. 0.90	100-240 V	A+	T8	G13	600 mm	T7-CEL-KB-45C31C
6.5W	18W	4000 K	120°	1040 lm	80	Typ. 0.90	100-240 V	A+	T8	G13	600 mm	T7-CEL-KB-45C51C
6.5W	18W	6000 K	120°	1040 lm	80	Typ. 0.90	100-240 V	A+	T8	G13	600 mm	T7-CEL-KB-45C91C
12W	36W	3000 K	120°	1800 lm	80	Typ. 0.90	100-240 V	A+	T8	G13	1200 mm	T7-CEL-LA-45C31C
12W	36W	4000 K	120°	1950 lm	80	Typ. 0.90	100-240 V	A+	T8	G13	1200 mm	T7-CEL-LA-45C51C
12W	36W	6000 K	120°	1950 lm	80	Typ. 0.90	100-240 V	A+	T8	G13	1200 mm	T7-CEL-LA-45C91C
14W	36W	3000 K	120°	2160 lm	80	Typ. 0.90	100-240 V	A+	T8	G13	1200 mm	T7-CEL-PA-45C31C
14W	36W	4000 K	120°	2340 lm	80	Typ. 0.90	100-240 V	A+	T8	G13	1200 mm	T7-CEL-PA-45C51C
14W	36W	6000 K	120°	2340 lm	80	Typ. 0.90	100-240 V	A+	T8	G13	1200 mm	T7-CEL-PA-45C91C
18W	36W	3000 K	120°	2450 lm	80	Typ. 0.90	100-240 V	A+	T8	G13	1200 mm	T7-CEL-SA-45C31C
18W	36W	4000 K	120°	2600 lm	80	Typ. 0.90	100-240 V	A+	T8	G13	1200 mm	T7-CEL-SA-45C51C
18W	36W	6000 K	120°	2660 lm	80	Typ. 0.90	100-240 V	A+	T8	G13	1200 mm	T7-CEL-SA-45C91C
20W	58W	3000 K	120°	2660 lm	80	Typ. 0.90	100-240 V	A+	T8	G13	1500 mm	T7-CEL-TD-45C31C
20W	58W	4000 K	120°	2800 lm	80	Typ. 0.90	100-240 V	A+	T8	G13	1500 mm	T7-CEL-TD-45C51C
20W	58W	6000 K	120°	2800 lm	80	Typ. 0.90	100-240 V	A+	T8	G13	1500 mm	T7-CEL-TD-45C91C

* No dimming function.

* >100.000 times of switching cycle.

* Instant light up < 1 second.

* All measurement data subjected to 10% tolerance due to measurement equipment tolerance and accuracy.

* Variation of chromaticity coordinates within a five-step MacAdam ellipse or less.

* Lumen maintenance factor : L80

** Product specification subjects to change without prior notice

LED TUBE CENTUM® DRIVER ECO FROST Technical Specifications

Power	Comparable Lamp Wattage	CCT	Beam Angle	Light Output	CRI	Power Factor	Voltage	Energy Efficiency Class	Size	Base	Nominal Length	Article Number
6.5W	18W	3000 K	130°	880 lm	80	Typ. 0.90	100-240 V	A+	T8	G13	600 mm	T7-CEL-KB-45F31C
6.5W	18W	4000 K	130°	960 lm	80	Typ. 0.90	100-240 V	A+	T8	G13	600 mm	T7-CEL-KB-45F51C
6.5W	18W	6000 K	130°	960 lm	80	Typ. 0.90	100-240 V	A+	T8	G13	600 mm	T7-CEL-KB-45F91C
12W	36W	3000 K	130°	1650 lm	80	Typ. 0.90	100-240 V	A+	T8	G13	1200 mm	T7-CEL-LA-45F31C
12W	36W	4000 K	130°	1800 lm	80	Typ. 0.90	100-240 V	A+	T8	G13	1200 mm	T7-CEL-LA-45F51C
12W	36W	6000 K	130°	1800 lm	80	Typ. 0.90	100-240 V	A+	T8	G13	1200 mm	T7-CEL-LA-45F91C
14W	36W	3000 K	130°	1980 lm	80	Typ. 0.90	100-240 V	A+	T8	G13	1200 mm	T7-CEL-PA-45F31C
14W	36W	4000 K	130°	2160 lm	80	Typ. 0.90	100-240 V	A+	T8	G13	1200 mm	T7-CEL-PA-45F51C
14W	36W	6000 K	130°	2160 lm	80	Typ. 0.90	100-240 V	A+	T8	G13	1200 mm	T7-CEL-PA-45F91C
18W	36W	3000 K	130°	2280 lm	80	Typ. 0.90	100-240 V	A+	T8	G13	1200 mm	T7-CEL-SA-45F31C
18W	36W	4000 K	130°	2400 lm	80	Typ. 0.90	100-240 V	A+	T8	G13	1200 mm	T7-CEL-SA-45F51C
18W	36W	6000 K	130°	2400 lm	80	Typ. 0.90	100-240 V	A+	T8	G13	1200 mm	T7-CEL-SA-45F91C
20W	58W	3000 K	130°	2500 lm	80	Typ. 0.90	100-240 V	A+	T8	G13	1500 mm	T7-CEL-TD-45F31C
20W	58W	4000 K	130°	2660 lm	80	Typ. 0.90	100-240 V	A+	T8	G13	1500 mm	T7-CEL-TD-45F51C
20W	58W	6000 K	130°	2660 lm	80	Typ. 0.90	100-240 V	A+	T8	G13	1500 mm	T7-CEL-TD-45F91C

* No dimming function.

* >100.000 times of switching cycle.

* Instant light up < 1 second.

* All measurement data subjected to 10% tolerance due to measurement equipment tolerance and accuracy.

* Variation of chromaticity coordinates within a five-step MacAdam ellipse or less.

* Lumen maintenance factor : L80

** Product specification subjects to change without prior notice