

LEDIGAMI

Architectural Lighting Solution

LED UNDERWATER LIGHT ENOLA SERIES

LEDigami Underwater Light ENOLA product series is a high-performance light fixture utilising LED technology. The durable 316 marine grade stainless steel housing and long life LED are an ideal combination. The use of LEDs allows for the creative introduction of colour and improved energy efficiency.

A simple and robust design allows for easy luminaire installation and there is virtually no need for maintenance. It has the added advantage of being supplied factory sealed, with no requirement to open the luminaire during installation. This luminaire can operate in very shallow water.

It is a powerful LED fixture with exceptional light output and is available in a wide variety of optical configurations including narrow spot and bi-symmetrical distributions. The luminaire has a wide variety of colour temperatures and is ideally suited for the underwater environment.



LEDigami Technologies (M) Sdn. Bhd.

T : +604 655 1699
F : +604 655 2699

E : sales@ledigami-tech.com
A : Suite 137, Kompleks Eureka, USM, 11800 Gelugor Penang, Malaysia.

1.5W
POWER

SMD LED
LED TYPE

DB-MA-HNd-AzxyAB

2700K **RED**
3000K **GREEN**
4000K **BLUE**
6000K **AMBER**
COLOR

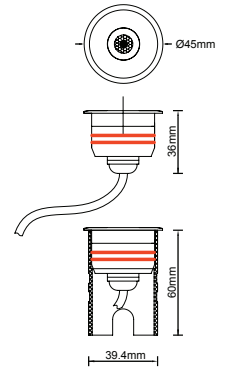
15°, 25°
38°, 45°
60°, 120°
BEAM ANGLE

12V/24V
INPUT VOLTAGE

IP68 IK06
RATING

SS 316
TRIM / HOUSING

CE
RoHS
COMPLIANCES



5W/7W
POWER

COB LED
LED TYPE

DB-NA-3HL-ADxyBE (5W)
DB-NA-3He-ADxyBE (7W)

2700K **BLUE**
3000K
4000K
6000K
COLOR

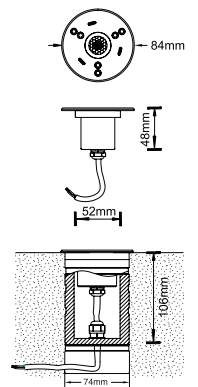
25°, 40°
BEAM ANGLE

12V
INPUT VOLTAGE

IP68 IK09
RATING

SS 316
TRIM / HOUSING

CE
RoHS
COMPLIANCES



12W/18W
POWER

COB LED
LED TYPE

DB-NA-AVd-ADxRBE (12W)
DB-NA-AVR-ADxRBE (18W)

2700K
3000K
4000K
6000K
COLOR

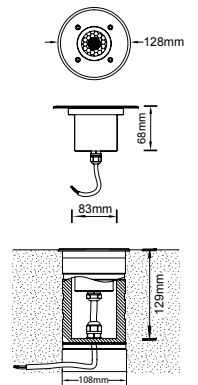
30°
BEAM ANGLE

12V
INPUT VOLTAGE

IP68 IK09
RATING

SS 316
TRIM / HOUSING

CE
RoHS
COMPLIANCES



9W
POWER

SMD LED
LED TYPE

DB-NA-3HM-ADNyAB

RGB
COLOR

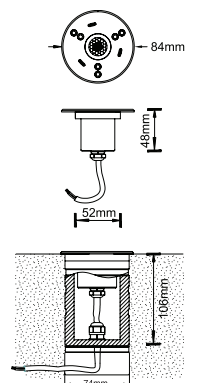
25°, 40°
BEAM ANGLE

12V
INPUT VOLTAGE

IP68 IK09
RATING

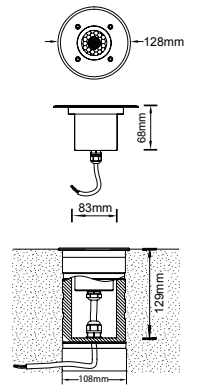
SS 316
TRIM / HOUSING

CE
RoHS
COMPLIANCES



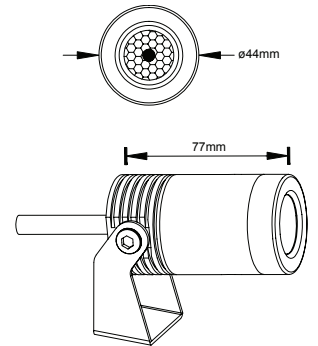
18W POWER	SMD LED LED TYPE
3000K 4000K 6000K RGB / RGBW	30° BEAM ANGLE
12V INPUT VOLTAGE	IP68 IK09 RATING
SS 316 TRIM / HOUSING	CE RoHS COMPLIANCES

DB-NA-aVR-ADNRAB (RGB)
DB-NA-aVR-ADxRAB (RGBW)



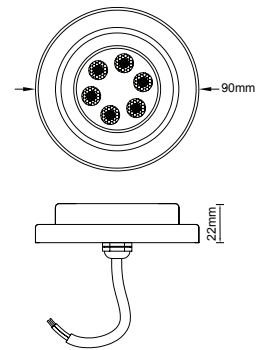
5W POWER	COB LED LED TYPE
2700K 3000K 4000K 6000K COLOR	15°, 25° BEAM ANGLE
12V INPUT VOLTAGE	IP68 IK04 RATING
SS 316 TRIM / HOUSING	CE RoHS COMPLIANCES

DB-PA-HDL-ADxyAB



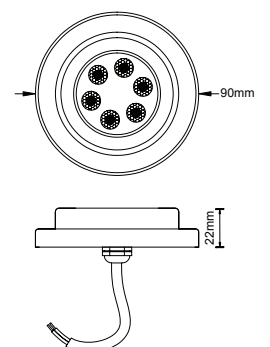
6W POWER	SMD LED LED TYPE
2700K 3000K 4000K 6000K COLOR	15°, 25°, 40° BEAM ANGLE
12V INPUT VOLTAGE	IP68 IK07 RATING
SS 316 TRIM / HOUSING	CE RoHS COMPLIANCES

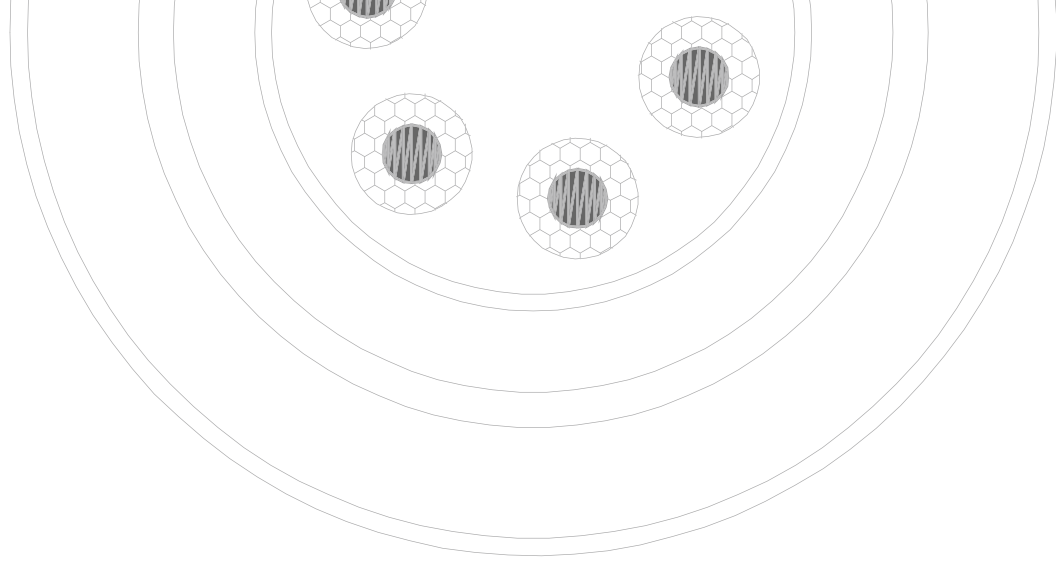
DB-QA-U2J-ADxyAB



6W POWER	SMD LED LED TYPE
RGB BEAM ANGLE	15°, 25°, 40° BEAM ANGLE
12V INPUT VOLTAGE	IP68 IK07 RATING
SS 316 TRIM / HOUSING	CE RoHS COMPLIANCES

DB-QA-U2J-ADNyAB





LEDIGAMI

Architectural Lighting Solution

PRODUCT SPECIFICATION CODE

X : CCT

Y: Beam Angle

Z: Voltage

B=2700K

C=15°

C=24VDC

C=3000K

U=25°

D=12VDC

D=4000K

a=38°

E=6000K

P=40°

J=RED

T=45°

K=GREEN

S=60°

L=BLUE

m=120°

V=AMBER

T=RGB + 3000K

W= RGB + 4000K

S= RGB + 6000K

